

Katrin Inclusive System Toilet Dispenser - White

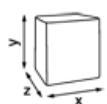
104582

- Holds two Katrin System toilet rolls
- Seamless dispensing with drop-down roll system and adjustable roll brake
- Easy and quick to refill
- Can be refilled while the second roll is in use, so tissue is always available
- 1360 - 1836 sheets, depending on paper quality
- Two versions available: with or without core catcher
- Better paper accessibility at the front of the dispenser opening
- The lock can be used with or without a key
- No searching around inside the dispenser opening for the loose end of the paper roll
- Main raw materials of major plastic parts and lock: ABS (Acrylonitrile butadiene styrene), PC (polycarbonate), POM (polyoxymethylene)
- Katrin Inclusive Dispensers are quality checked by Bureau Veritas for performance, durability, Hazardous substances, Workmanship, Controlled production
- Katrin Inclusive dispensers are resistant to high temperatures and have been tested by Bureau Veritas Consumer Products Services to prove that they conform to the UL 94 flammability standard



ISO9001

Product / Consumer pack



x 154 mm
y 313 mm
z 174 mm

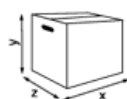


White



0.871 kg

Transport pack



x 316 mm
y 177 mm
z 157 mm



1

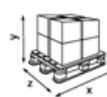


1.08 kg



6414300104582

Transport pallet



x 800 mm
y 1272 mm
z 1200 mm



102

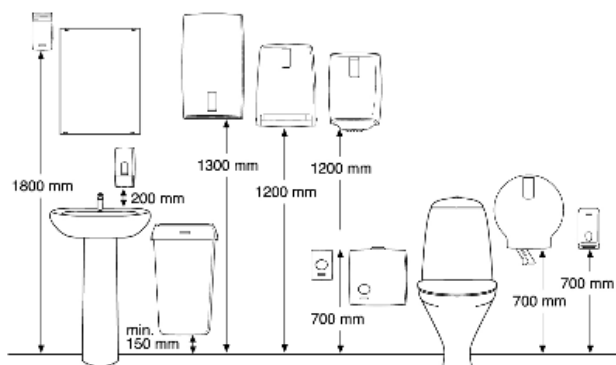


131.3 kg



6414300104599

Measurements and installing



Related products



103424
**Katrin Classic
 System Toilet 800
 ECO**



156005
**Katrin Classic
 System Toilet 800**



156007
**Katrin Classic
 System toilet 800
 Low Pallet**



156104
**Katrin Classic
 System Toilet
 Yellow**



156159
**Katrin Basic System
 Toilet**



156050
**Katrin Plus System
 Toilet 680**



968
**Katrin Plus System
 Toilet 3**



156052
**Katrin Plus System
 toilet 680 Low
 Pallet**